

6

5

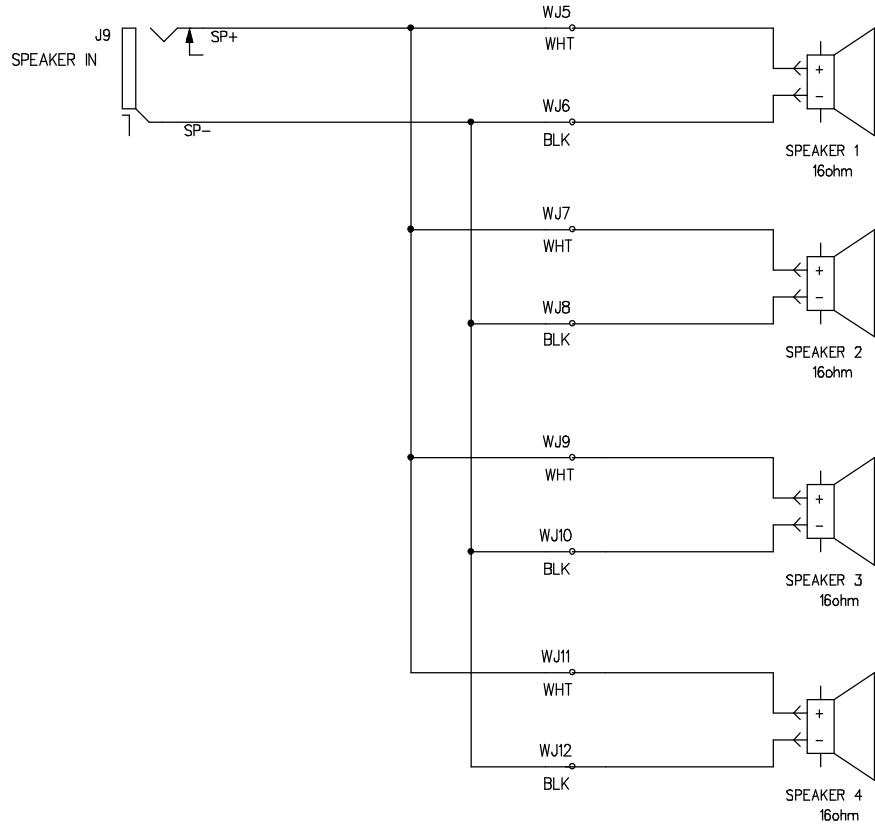
4

3

2

1

REVISION RECORD			
LTR	ECO NO:	APPROVED:	DATE:



D

D

C

C

B

B

A

A

AXLO® AXL Musical Instruments

TITLE: **Rapture 412 cabinet**

DRAWN	<i>[Signature]</i>	DATE	20-05-2005	SIZE:	DRAWING NUMBER	REV:
CHECKED				B	TA 032008601	A
APPROVED				SHEET: 1 OF 1		

6

5

4

3

2

1