

REVISION RECORD			
LTR	ECO NO.	APPROVED:	DATE:

MODELS:	F1	VALUE
100-120V	125V	F500mA
220-240V	250V	F250mA

NOTES: UNLESS OTHERWISE SPECIFIED
 1. ALL RESISTORS 1/4W, +/-5%
 2. ALL CAPACITORS 50V MINIMUM
 3. ALL DIODES 1N4148
 4. DC VOLTAGES READ TO GROUND WITH A DVM, NO INPUT SIGNAL
 5. AC VOLTAGE READINGS TAKEN WITH DVM TO GROUND UNDER THE FOLLOWING CONDITIONS:
 1KHZ INPUT APPLIED THROUGH 1/4" PLUG TO J1
 8 OHMS RESISTIVE LOAD CONNECTED AT P8, PG
 GAIN AT 9 O'CLOCK
 ALL OTHER CONTROLS SET TO 12 O'CLOCK
 FOR BULLET REVERB ONLY:
 REVERB UNIT CONNECTED
 REVERB AT '0'

OUTPUT TEST:
 1KHZ INTO 8 OHMS RESISTIVE LOAD
 AT RATED LINE INPUT
 15 WATTS RMS 5% T.H.D.

COMPANY: **AXL** Musical Instruments

TITLE: **Rapture 20TR**

DRAWN: Juel Zhang	DATE: 06-01-2006
CHECKED:	DATE:
QUALITY CONTROL:	DATE:
RELEASED:	DATE:

CODE:	SUE:	DRAWING NO:	REV:
		TA 032006501	

SCALE: SHEET: 1 OF 2

6 5 4 3 2 1

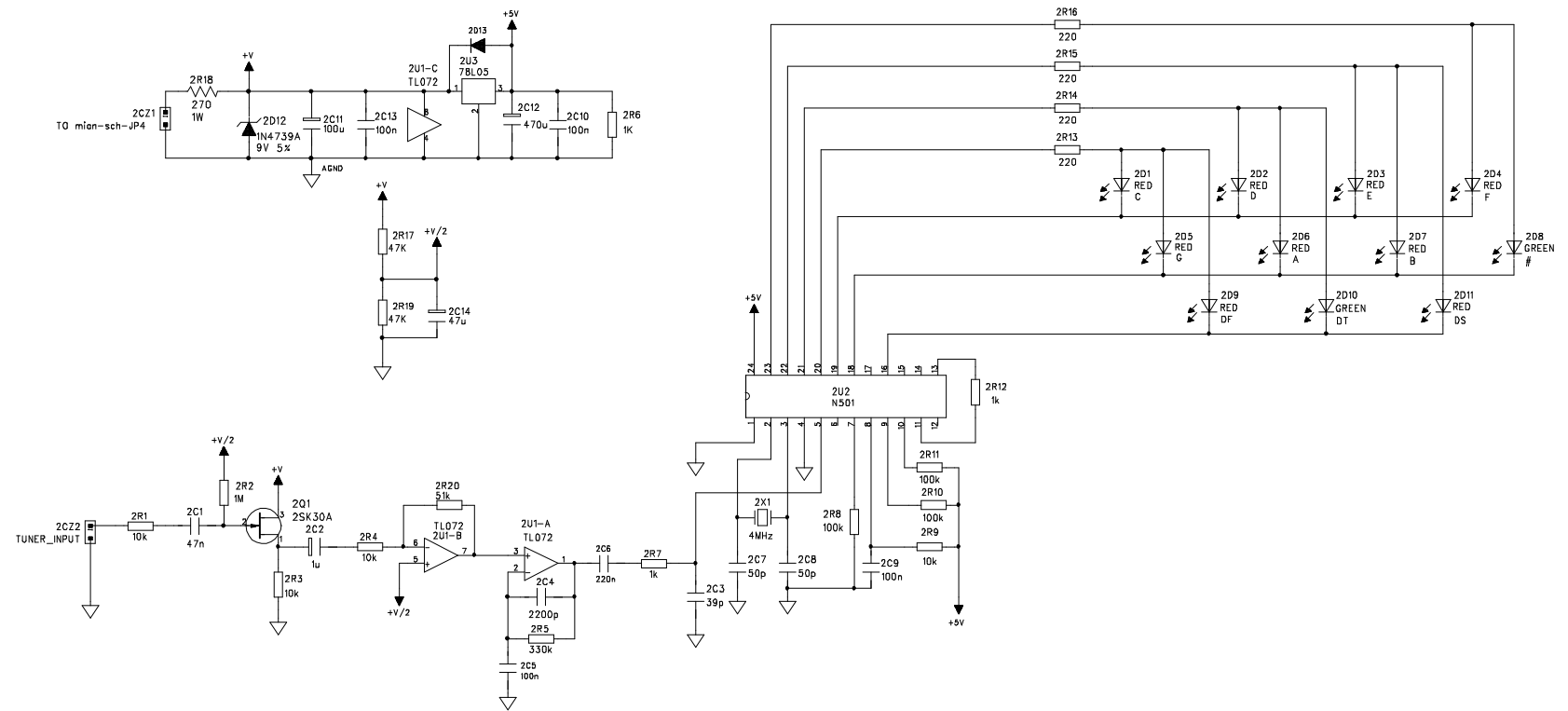
REVISIONS			
REV.	DESCRIPTION	DATE	APPROVED

D D

C C

B B

A A



AXLO® AXL Musical Instruments

TITLE: Rapture 20TR_Tuner

	NAME	DATE
DRAWN	Jeef Zhang	06-01-2006
CHECKED		
APPROVED		

SIZE:	DRAWING NUMBER	REV:
C	TA 032006501	1

SHEET: 2 OF 2

6 5 4 3 2 1