

REVISION RECORD			
LTR	ECO. NO.	APPROVED:	DATE:

MODELS:	F1	VALUE
100-120V	125V	F500mA
220-240V	250V	F250mA

NOTES: UNLESS OTHERWISE SPECIFIED  
 1. ALL RESISTORS 1/4W, +/-5%  
 2. ALL CAPACITORS 50V MINIMUM  
 3. ALL DIODES 1N4148  
 4. DC VOLTAGES READ TO GROUND WITH A DVM, NO INPUT SIGNAL  
 5. AC VOLTAGE READINGS TAKEN WITH DVM TO GROUND UNDER THE FOLLOWING CONDITIONS:  
 1KHZ INPUT APPLIED THROUGH 1/4" PLUG TO J1  
 8 OHMS RESISTIVE LOAD CONNECTED AT P8, P9  
 GAIN AT 9 O'CLOCK  
 ALL OTHER CONTROLS SET TO 12 O'CLOCK  
 FOR BULLET REVERB ONLY:  
 REVERB UNIT CONNECTED  
 REVERB AT "0"

OUTPUT TEST:  
 1KHZ INTO 8 OHMS RESISTIVE LOAD  
 AT RATED LINE INPUT  
 15 WATTS RMS 5% T.H.D.

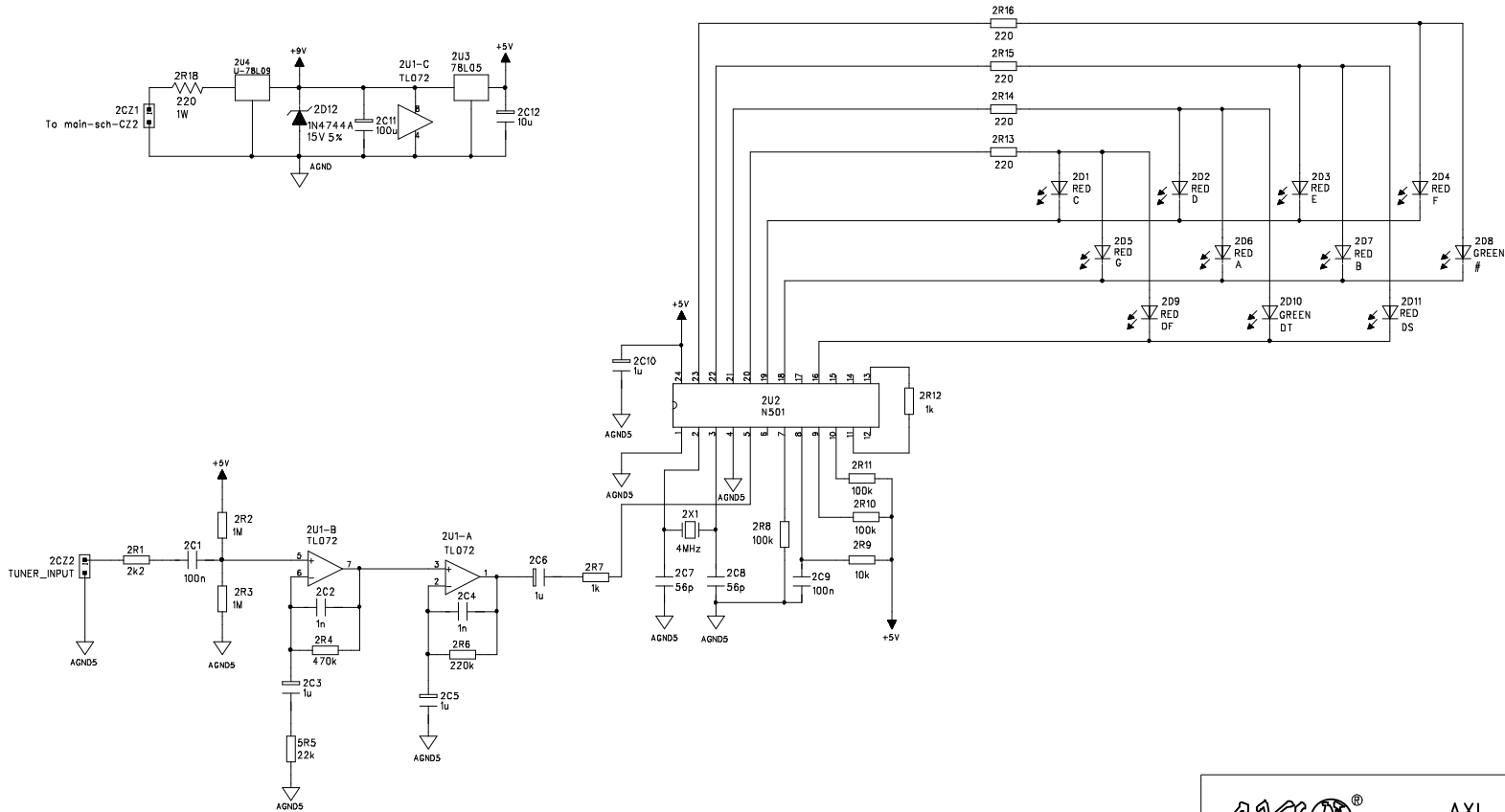
DRAWN:		DATED:	
CHECKED:		DATED:	
QUALITY CONTROL:		DATED:	
RELEASED:		DATED:	
SCALE:		SHEET: 1 OF 2	

COMPANY: **AXL** Musical Instruments

TITLE: **Rapture 20G**

CODE:	SUEL:	DRAWING NO:	REV:
	D		

REVISIONS			
REV.	DESCRIPTION	DATE	APPROVED



**AXLO**® AXL Musical Instruments

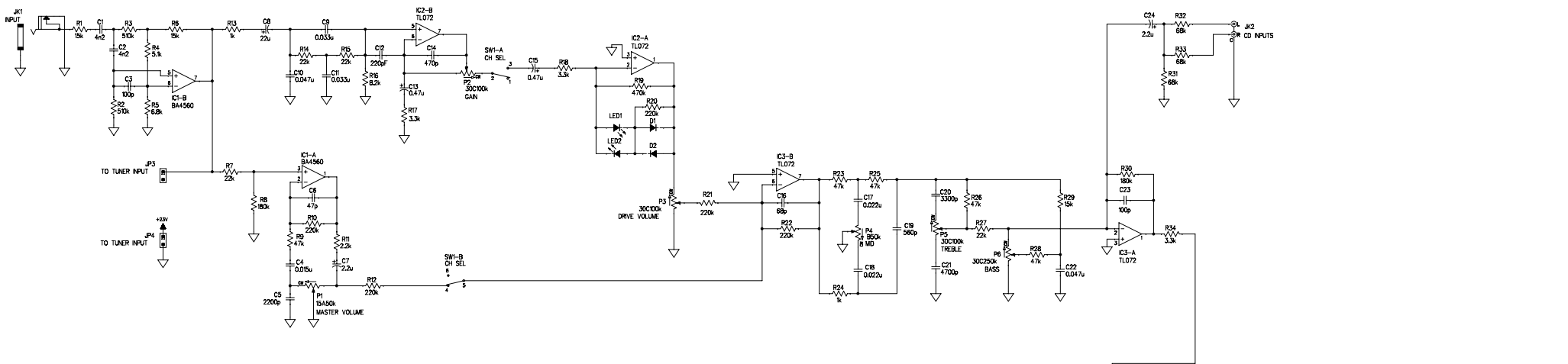
TITLE: Rapture 20R-tuner

	NAME	DATE
DRAWN		
CHECKED		
APPROVED		

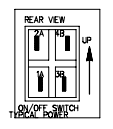
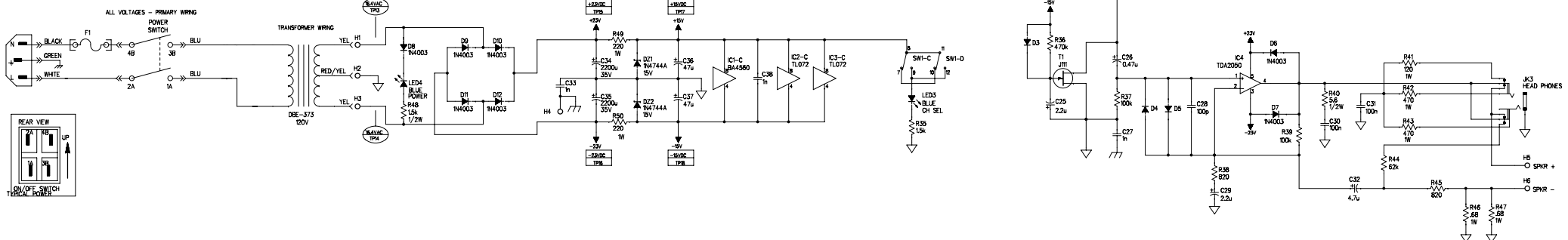
SIZE:	DRAWING NUMBER	REV:
C		1

8 7 6 5 4 3 2 1

REVISIONS			
REV.	DESCRIPTION	DATE	APPROVED



MODELS:	F1 VALUE
100-120V	125V F500mA
220-240V	250V F250mA



NOTES UNLESS OTHERWISE SPECIFIED  
 1. ALL RESISTORS 1/4W, +/-5%  
 2. ALL CAPACITORS 50V MINIMUM  
 3. ALL DIODES 1N4148.

**AXL** Musical Instruments

TITLE: Rapture 20T-Main

DRAWN	NAME	DATE	SIZE	DRAWING NUMBER	REV.
CHECKED		2006.10.25	D	TA 032006401	1
APPROVED					

SHEET: 1 OF 2

8 7 6 5 4 3 2 1