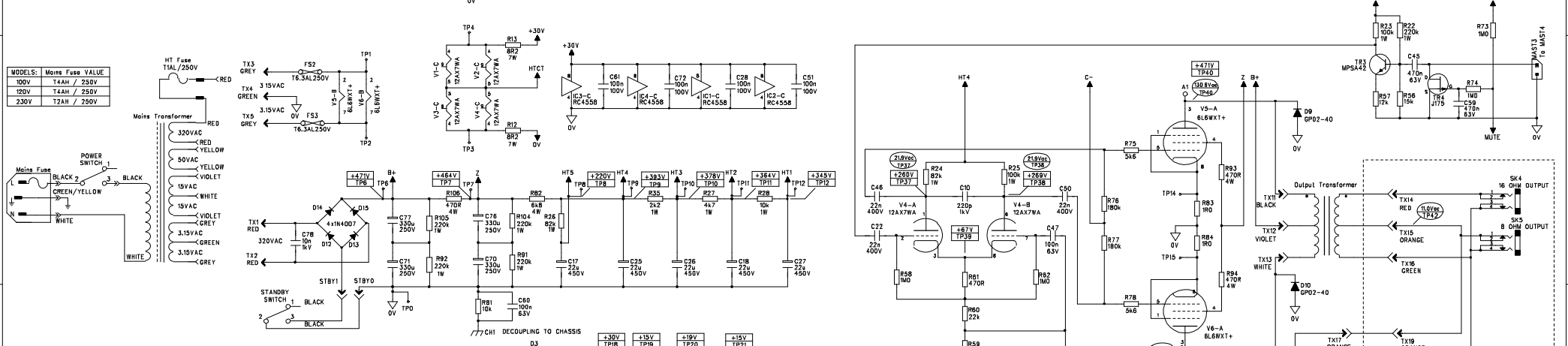
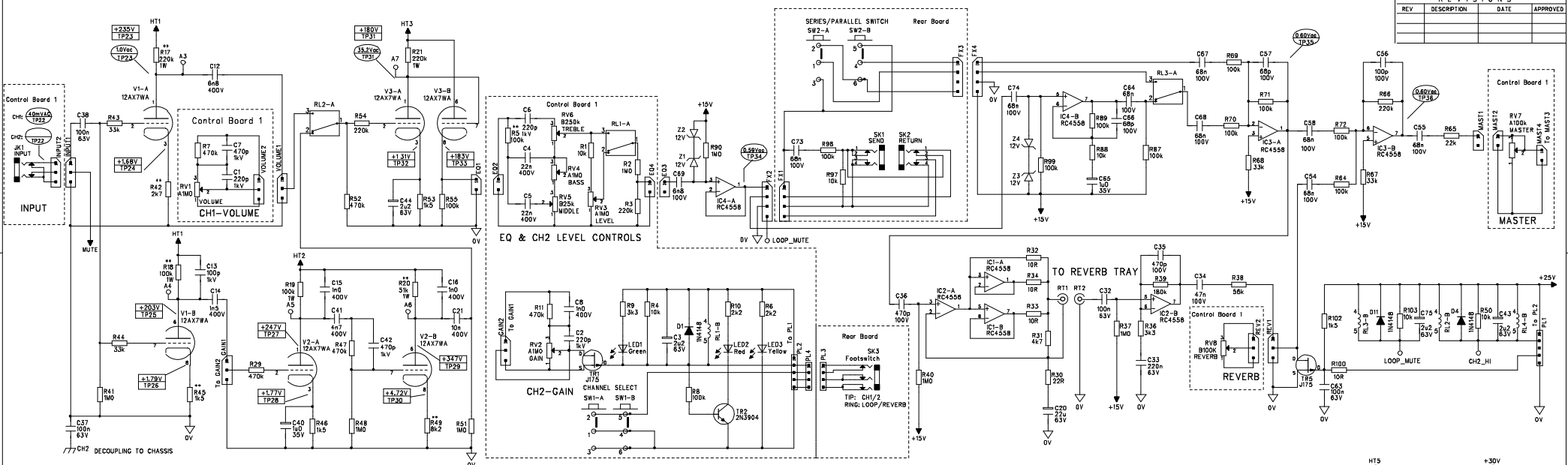


REVISIONS			
REV	DESCRIPTION	DATE	APPROVED



NOTES: (UNLESS OTHERWISE NOTED)

4 ALL VOLTAGES MEASURED TO GROUND USING A DIV OF AT LEAST ONE OHM INPUT IMPEDANCE. VOLTAGES MAY VARY +/- 20% TEST CONDITIONS.
 ALL DC VOLTAGES MEASURED WITH NO INPUT SIGNAL.
 ALL AC VOLTAGES MEASURED WITH INPUT SIGNALS.
 BIAS ADJUSTMENTS
 A-SET BIAS CONTROL TO OBTAIN 300V BIAS BETWEEN TEST TP18 AND TP19.
 B-SET BIAS CONTROL TO OBTAIN 0V BIAS BETWEEN TEST TP18 AND TP19
 ALL CONTROLS SET TO 50% POSITION/REVERB CONTROLS SET TO 0% ROTATION.
 OVERDRIVE GAIN CONTROLS SET TO 50% ROTATION.

3 ALL POLARIZED CAPACITORS IN 1/4, 3/16, 1/2 MINIMUM.
 2 ALL UNPOLARIZED CAPACITORS IN 1/4 OR ON BATTERY MINIMUM.
 (POWER SUPPLY BYPASS CAPACITORS ARE 20%)
 1 ALL RESISTORS IN OHMS, 1/4W.

Component	From REV1	To REV2
R5	56k	100k
R7	100k	220k
R8	220k	100k
R20	100k	50k
R42	1.5k	2.7k
R43	2.7k	1.5k
R49	2.7k	8.2k

AXL Musical Instruments
 TITLE: SERVICE DIAGRAM, COMBINED (schematic)
 AKITA 50H

NAME	DATE

DRAWN	DATE	SIZE	DRAWING NUMBER	REV:
	2006-11-01			
CHECKED	2006-12-25	D	TA 032008501	2.1

APPROVED

SHEET: 1 OF 1